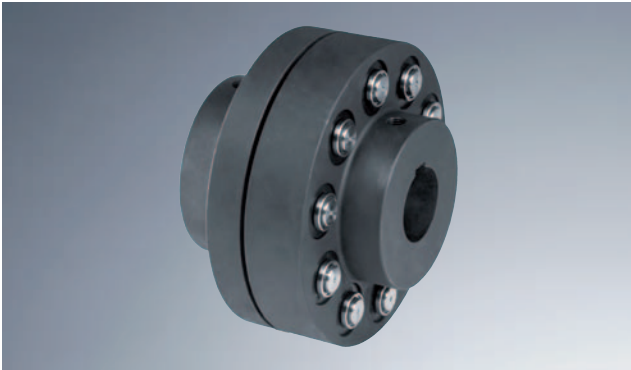

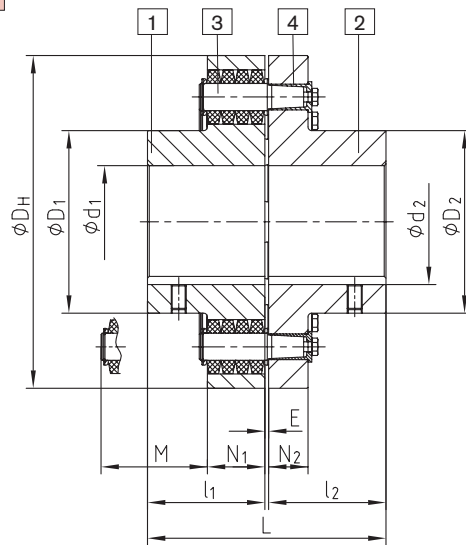


Type KX – casted materials –



- Vibration-reducing, short design
- Radial assembly/disassembly
- Axial plug-in, failsafe
- All-side machining → good dynamical features
- Protected surfaces
- Standard hub material GJL (GJS or steel on request)
-  Approved according to EC Standard 94/9/EC (Explosion Certificate ATEX 95)

Components



Components

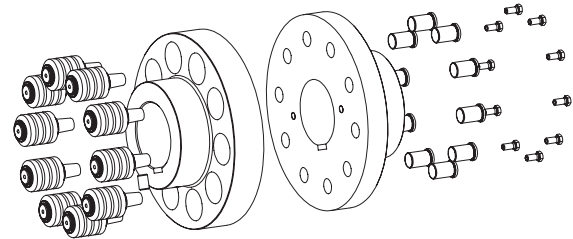
Type KX

1 = Hub part 1

2 = Hub part 2

3 = Complete pin

4 = KX sleeve (hardened and corrosion-resistant)



REVOLLEX® KX

Size	Torques ¹⁾ [Nm]		max. speed ²⁾ [rpm]	Finish bore [min. - max.]		Dimensions [mm]										Moment of inertia ³⁾ [kgm ²]	Approx. weight ³⁾ [kg]
	T _{KN}	T _{Kmax.}		d ₁	d ₂	L	l ₁ ; l ₂	E	D _H	D ₁	D ₂	N ₁	N ₂	M*			
KX 105	6485	12970	2000	34-110	34-125	237	117	3	330	180	202	56	30	76	0,771	62	
KX 120	10080	20160	1800	50-125	50-145	270	132	6	370	206	232	76	46	100	1,611	96	
KX 135	14030	28060	1600	70-140	70-150	300	147	6	419	230	240	76	46	100	2,685	123	
KX 150	17960	35920	1450	82-160		336	165	6	457	256	260	76	46	100	3,887	162	
KX 170	26360	52720	1250	95-180		382	188	6	533	292	292	92	63	130	9,165	273	
KX 190	36160	72320	1100	110-205		428	211	6	597	330	330	92	63	130	14,765	360	
KX 215	48160	96320	1000	125-230		480	237	6	660	368	368	92	63	145	22,771	465	
KX 240	65740	131480	900	140-250		534	264	6	737	407	407	122	76	167	43,484	695	
KX 265	91480	182960	800	160-285		590	292	6	826	457	457	122	76	170	70,143	910	
KX 280	123530	247060	720	180-315		628	311	6	927	508	508	122	76	189	112,637	1183	
KX 305	152840	305680	675	180-330		654	324	6	991	533	533	122	76	202	146,974	1369	
KX 330	188470	376940	625	200-355		666	330	6	1067	572	572	122	76	208	198,005	1598	

* Drop-out center dimension

²⁾ Higher speeds on request

¹⁾ Standard material NBR 80 Shore-A, selection see page 61

³⁾ Relating to max. bore

Finish bore according to ISO fit H7, feather keyway according to DIN 6885 sheet 1 - JS9. If requested, coupling is dynamically balanced (semi-wedge balancing G 6,3; speed as per customer's details). For circumferential speeds exceeding 30 m/s we would recommend dynamic balancing.

■ = with pilot bore available from stock

Order form:

REVOLLEX® KX 170	GJL	part 1 Ø120	part 2 Ø150
Coupling type/size	Material	Finish bore	Finish bore