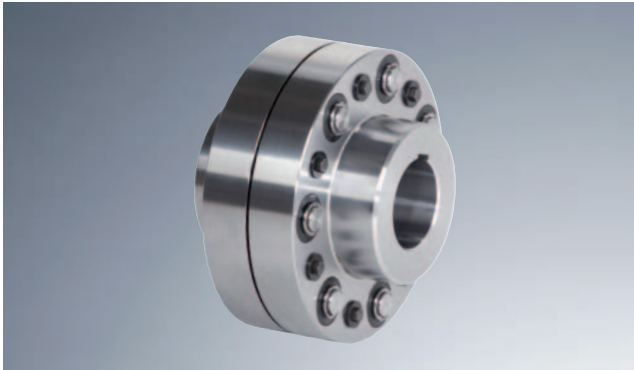

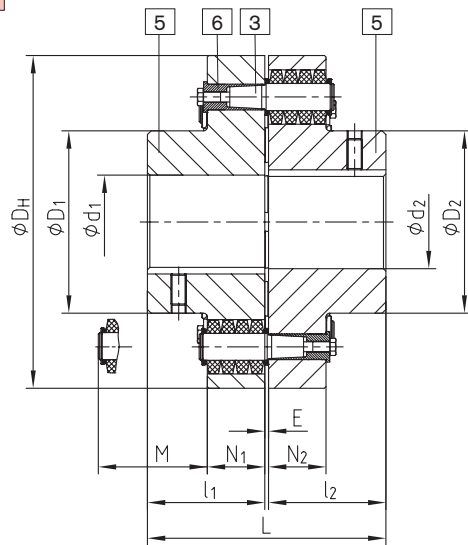


### Type KX-D – material steel –



- Reducing vibrations, short design, protected surfaces
- Radial assembly/disassembly, axial plug-in, failsafe
- All-side machining → good dynamical features
- Hubs from steel, specifically suitable for drive elements subject to high loads or high circumferential speeds
- Particularly suitable for drive components with high loads and high speeds due to hub material steel
- Pins are arranged alternately
- Increase of transmittable torque by up to 40 % compared to REVOLEX® KX
-  Approved according to EC Standard 94/9/EC (Explosion Certificate ATEX 95)

#### Components



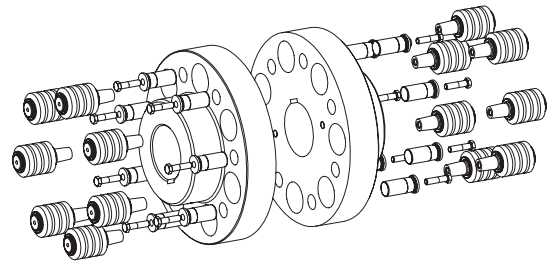
#### Components

Type KX-D

5 = Hub part 5

3 = Complete pin

6 = KX-D sleeve (hardened and corrosion-resistant)



### REVOLEX® KX-D

Size	Torque <sup>1)</sup> [Nm]		Max. speed <sup>2)</sup> [rpm]	Finish bore [min. - max.] d <sub>1</sub> ; d <sub>2</sub>	Dimensions [mm]						Moment of inertia <sup>3)</sup> [kgm <sup>2</sup> ]	Approx. weight <sup>3)</sup> [kg]	
	T <sub>KN</sub>	T <sub>Kmax.</sub>			L	l <sub>1</sub> ; l <sub>2</sub>	E	D <sub>H</sub>	D <sub>1</sub> ; D <sub>2</sub>	N <sub>1</sub> ; N <sub>2</sub>			M*
<b>NEW</b> KX-D 75	3800	7600	4500	0-90	193	95	3	225	136	56	76	0,325	39
<b>NEW</b> KX-D 85	5000	10000	4175	0-100	213	105	3	274	152	56	76	0,440	46
<b>NEW</b> KX-D 95	6600	13200	3825	0-110	227	112	3	298	168	56	76	0,624	56
KX-D 105	8650	17300	3475	0-120	237	117	3	330	180	56	76	0,907	80
KX-D 120	14110	28220	3100	0-140	270	132	6	370	206	76	100	1,867	124
KX-D 135	18690	37380	2725	70-160	300	147	6	419	230	76	100	3,144	165
KX-D 150	23100	46200	2500	82-185	336	165	6	457	256	76	100	4,573	205
KX-D 170	36900	73800	2150	95-220	382	188	6	533	292	92	130	10,259	322
KX-D 190	48210	96420	1900	110-245	428	211	6	597	330	92	130	16,601	431
KX-D 215	61900	123800	1725	125-275	480	237	6	660	368	92	130	25,495	559
KX-D 240	92030	184060	1550	140-310	534	264	6	737	407	122	170	50,147	833
KX-D 265	121900	243800	1375	160-350	590	292	6	826	457	122	170	80,796	1099
KX-D 280	158800	317600	1225	180-385	628	311	6	927	508	122	170	129,979	1436
KX-D 305	191060	382120	1150	180-405	654	324	6	991	533	122	170	170,016	1669
KX-D 330	251200	502400	1075	200-435	666	330	6	1067	572	122	170	227,451	1954
KX-D 355	299100	598200	975	225-465	718	356	6	1156	610	122	170	338,145	1967
KX-D 370	377800	755600	900	225-550	770	382	6	1250	720	122	170	492,353	2367
KX-D 470	510000	1020000	870	240-470 <sup>4)</sup>	969 <sup>4)</sup>	480 <sup>4)</sup>	9	1340	705 <sup>4)</sup>	164	220	734,260	3775
KX-D 520	715000	1430000	760	240-520 <sup>4)</sup>	1089 <sup>4)</sup>	540 <sup>4)</sup>	9	1540	780 <sup>4)</sup>	164	220	1264,725	5155
KX-D 590	950000	1900000	680	260-590 <sup>4)</sup>	1212 <sup>4)</sup>	600 <sup>4)</sup>	12	1735	885 <sup>4)</sup>	164	220	2081,885	6895
KX-D 650	1220000	2440000	610	280-650 <sup>4)</sup>	1332 <sup>4)</sup>	660 <sup>4)</sup>	12	1935	975 <sup>4)</sup>	164	220	3228,297	8893

\* Drop-out center dimension

<sup>2)</sup> Higher speeds on request

<sup>1)</sup> Standard material NBR 80 Shore-A, selection see page 61

<sup>3)</sup> Relating to max. bore

<sup>4)</sup> Variable according to customer's requests

Finish bore according to ISO fit H7, feather keyway according to DIN 6885 sheet 1 - JS9. If requested, coupling is dynamically balanced (semi-wedge balancing G 6,3; speed as per customer's details). For circumferential speeds exceeding 30 m/s we would recommend dynamic balancing.

■ = with pilot bore available from stock

#### Order form:

REVOLEX® KX-D 170	Steel	Ø120	Ø150
Coupling type/size	Material	Finish bore	Finish bore